



# PIS200

## PORTABLE INSPECTION SYSTEM

The PIS200 is a Portable Inspection System for use with inspection cameras and lighting. Fitted in a rolling suitcase the PIS200 is a flexible monitoring system that is equipped with control panels, DVR and a large HD-screen.

### APPLICATIONS

- Portable control unit
- Controls most Ahlberg HD, SD and monochrome tube cameras with pan-and-tilt units and lights

### BENEFITS

- Large, 22" HD screen
- No calibrations required when changing camera or camera cable
- Built-in control panel and keyboard
- The case is equipped with wheels and an adjustable handle
- Secondary remote control R100 with cable can be connected to the unit

### SPECIFICATIONS

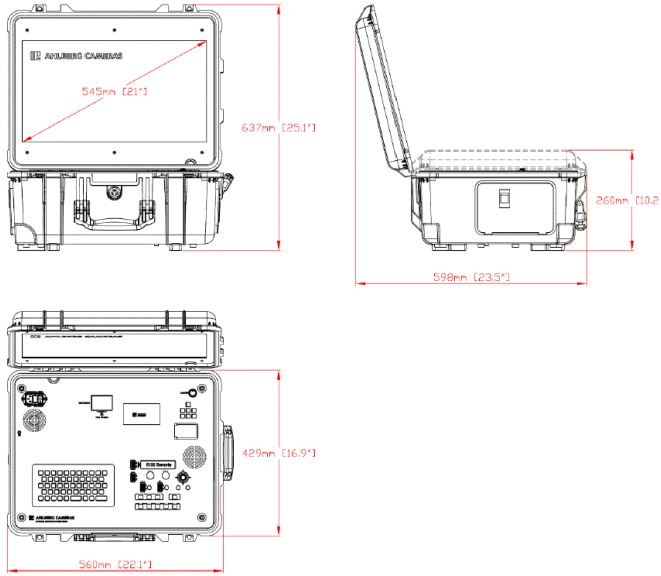
Dimensions (L*W*H)	483x435x133 mm (19" x 17" x 5.2")
Housing material	Polypropylene
Weight	20.3 kg (44 lbs)
Ingress protection	IP42
Operating temperature	0°C to 45°C
Power supply	90-260VAC / 47-63 Hz / max 800W
Lighting support	2 channels
Video outputs	S-video, Composite, SD/HDcomponent, DVI-D and SDI
Recording	H.264 SD memory card recording
Video overlay (option)	Free text, date, time, zoom, focus distance, pan and tilt values on screen display

*We reserve the right to alter specifications without prior notice*

## PIS200 IMAGES



*We reserve the right to alter specifications without prior notice*



*We reserve the right to alter specifications without prior notice*