

AHL-LIGHT 35



LED WORK LIGHT

ahlbergcameras.com/products/lights/ahl-light-35



The AHL-LIGHT 35 is a robust underwater LED working light. It can be hung from its cable and used as a mobile light, or it can be fitted to a bracket and used as a permanent light.

MORE INFORMATION ABOUT AHL-LIGHT 35

APPLICATIONS

- Underwater nuclear working light
- Ideal for work in reactor and fuel pools
- Works together with a separate power supply unit
- The light is delivered with the same type of power supply unit as the AHL-LIGHT 70 which is placed either in air (on the railing or on the wall) or underwater

BENEFITS

- Low maintenance costs due to its long life-time
- 43 500 lumen light output
- Overheating protection during unintended use in air
- FME approved design – no loose parts can enter the pool water
- Power supply can be placed in air or underwater

SPECIFICATIONS

PHYSICAL CHARACTERISTICS

| | |
|----------------------|--|
| Width | 220 mm |
| Height | 109 mm |
| Weight | 4.5 kg |
| Housing material | Stainless steel EN 1.4301, AISI 304/AISI 316 |
| Front glass material | Polycarbonate |

LIGHTING FEATURES

| | |
|-----------------------|---|
| Type | 3 LED-Lights 100-240 VAC, 50/60 HZ, 240 W |
| Typical luminous flux | 43 500lm @5000K, 41 500lm @ 3000K |
| Color rendering index | 80 |
| Color temperature | 3000K or 5000K |
| Lighting angle | 64° |
| Life time | >50 000 h |

ENVIRONMENTAL TOLERANCES

| | |
|----------------------------------|-----------------------------|
| Radiation tolerance (total dose) | 50 000 Gy (5 000 000 rad) |
| Maximum temperature | 60°, 70°C for short periods |
| Water Tightness | 3 bar |

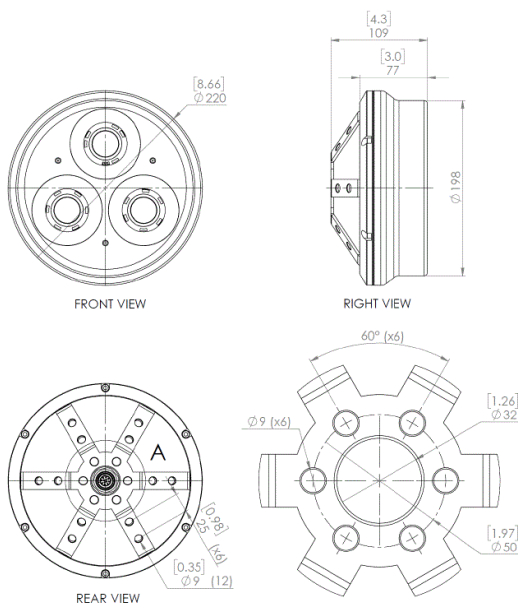
We reserve the right to alter specifications without prior notice

CABLE FEATURES

| | |
|----------------------|-------|
| Maximum cable length | 250 m |
|----------------------|-------|

We reserve the right to alter specifications without prior notice

AHL-LIGHT 35 IMAGES



We reserve the right to alter specifications without prior notice